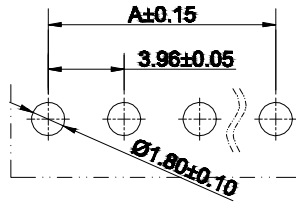
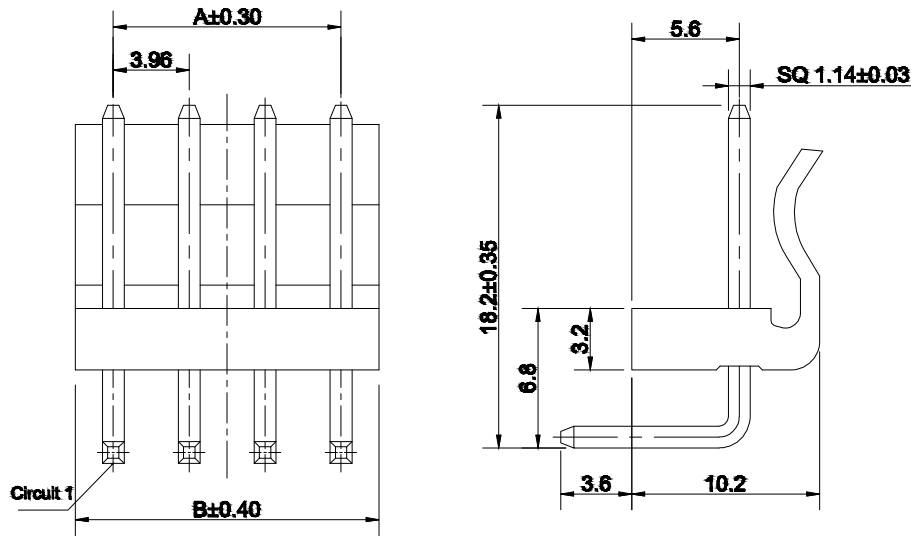




SPECIFICATION

Current Rating:7.0Amp
 Contact Resistance:20mΩ Max
 Withstand Voltage:1000V AV/DC
 Insulation Resistance:1000MΩ Min
 Operation Temperature:-40℃ to +105℃

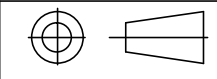
Contact Material Brass
 Contact Plating:Au or Sn over Ni
 Insulator Material:PA66 UL94V-0



Recommended P. C. B Layout

Circuit	Dimension	
	A	B
2	3.96	7.92
3	7.92	11.88
4	11.88	15.84
5	15.84	19.80
6	19.80	23.76
7	23.76	27.72
8	27.72	31.68
9	31.68	35.64
10	35.64	39.60
11	39.60	43.56
12	43.56	47.52
13	47.52	51.48
14	51.48	55.44
15	55.44	59.40
16	59.40	63.36
17	63.36	67.32
18	67.32	71.28
19	71.28	75.24
20	75.24	79.20

Any size and shape can be customized.
 Contact sales team for more information.



PRODUCT NAME	DIM	TOL	DWG NO.	DRAW	Wu	PART NO	CUST
3.96MM Right Angle Wafer	X. X	±0.4	P. W	CHECK	Tomy	UNIT	DATE
	X. XX	±0.25	MATER	APPR	Allan	MM[INCH]	XXXX. XX. XX
	ANGLE	±3°	REV.				
			BRASS PA66			东莞市同盈电子有限公司 DONGGUAN WIN-WIN ELECTRONIC Co., Ltd.	
			A0				