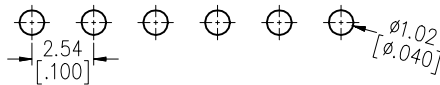
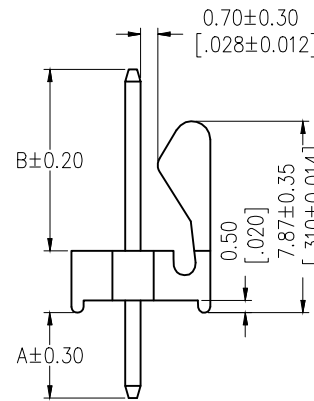
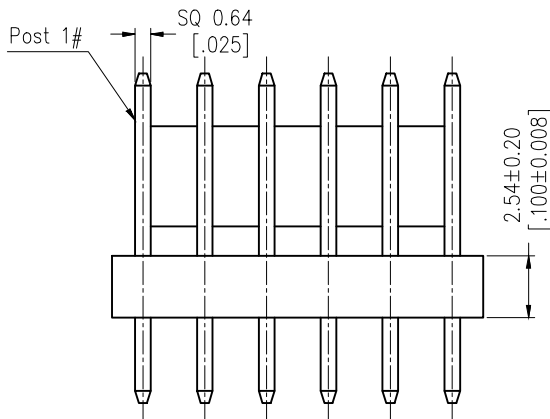
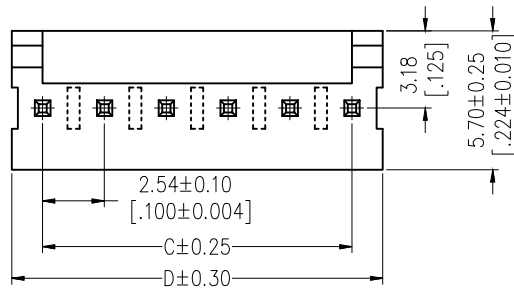




SPECIFICATIONS

Current Rating: 3Amp
 Contact Resistance: 20mΩ Max
 Withstand Voltage: 1000V AC/DC
 Insulation Resistance: 1000MΩ Min
 Operation Temperature: -25°C to 85°C
 Contact Material: Brass
 Contact Plating: Au or Sn over Ni
 Insulation Material: PA66 (UL94V-0)

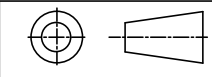


Recommended P.C.B Layout (Top Side)
 (PCB BOARD TOLERANCE ±0.05)

ITEM	A	B
Standard	3.60	7.36
Alternate		

Circuit	Dimension	
	C	D
2	2.54	5.08
3	5.08	7.62
4	7.62	10.16
5	10.16	12.70
6	12.70	15.24
7	15.24	17.78
8	17.78	20.32
9	20.32	22.86
10	22.86	25.40
11	25.40	27.94
12	27.94	30.48
13	30.48	33.02
14	33.02	35.56
15	35.56	38.10
16	38.10	40.64
17	40.64	43.18
18	43.18	45.72
19	45.72	48.26
20	48.26	50.80

Any size and shape can be customized.
 Contact sales team for more information.



PRODUCT NAME	DIM	TOL	DWG NO.	DRAW	Wu	PART NO	CUST
2.54MM WAFER 180° DIP	X.X	±0.4	P.W	CHECK	Tomy	UNIT	DATE
	X.XX	±0.25	MATER PA66、BRASS	APPR	Allan	MM[INCH]	XXXX.XX.XX
	ANGLE	±3°	REV. A0				

win 东莞市同盈电子有限公司
 DONGGUAN WIN-WIN ELECTRONIC Co., Ltd.