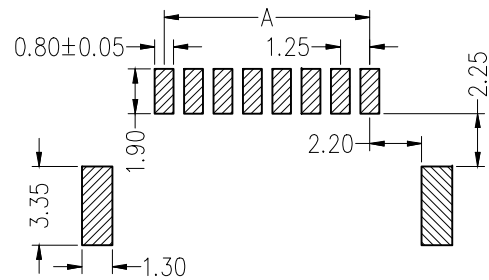
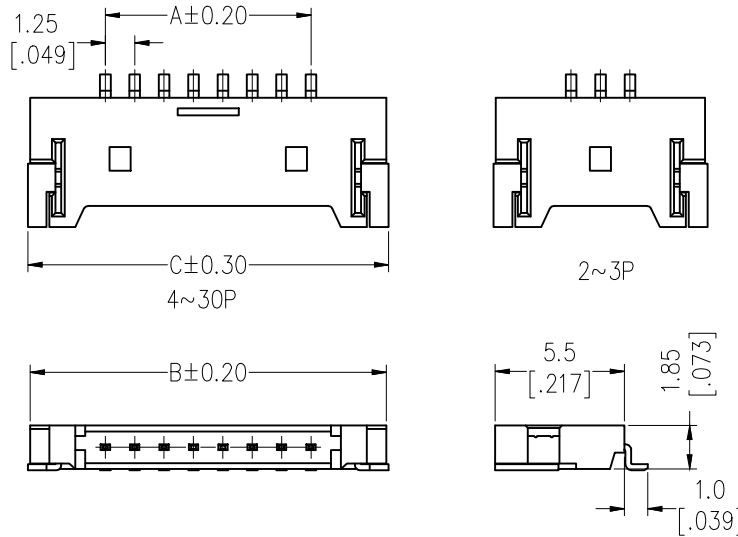




SPECIFICATION

Current Rating:1.0Amp
 Voltage Rating:125V AC/DC
 Contact Resistance:20mΩ Max
 Withstand Voltage:500V AV/DC
 Insulation Resistance:1000MΩ Min
 Operation Temperature:-25°C to +85°C

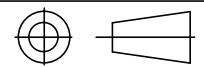
Contact Material: Brass
 Contact Plating:Au or Sn over Ni
 Insulator Material:PA6T+30%GF UL94V-0



Recommended P.C.B Layout (Top Side)
 (PCB BOARD TOLERANCE±0.05)

Circuit	Dimension		
	A	B	C
2	1.25	7.65	7.85
3	2.50	8.90	9.10
4	3.75	10.15	10.35
5	5.00	11.40	11.60
6	6.25	12.65	12.85
7	7.50	13.90	14.10
8	8.75	15.15	15.35
9	10.00	16.40	16.60
10	11.25	17.65	17.85
11	12.50	18.90	19.10
12	13.75	20.15	20.35
13	15.00	21.40	21.60
14	16.25	22.65	22.85
15	17.50	23.90	24.10
16	18.75	25.15	25.35
17	20.00	26.40	26.60
18	21.25	27.65	27.85
19	22.50	28.90	29.10
20	23.75	30.15	30.35

Any size and shape can be customized.
 Contact sales team for more information.



PRODUCT NAME	DIM	TOL	DWG NO.	DRAW	Wu	PART NO	CUST
1.25MM Wafer 90° DIP Series	X.X	±0.4	P.W	CHECK	Tomy	UNIT	DATE
	X.XX	±0.25	MATER	APPR	Allan	MM[INCH]	XXXX.XX.XX
	ANGLE	±3°	REV.				
			BRASS PA6T			东莞市同盈电子有限公司 DONGGUAN WIN-WIN ELECTRONIC Co., Ltd.	
			A0				