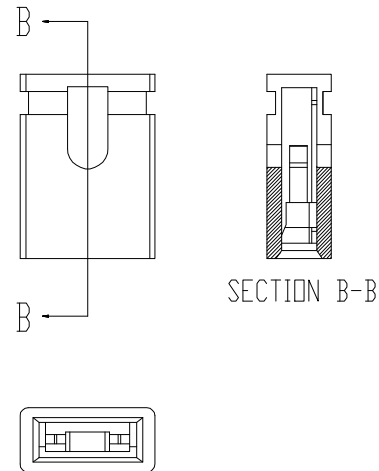
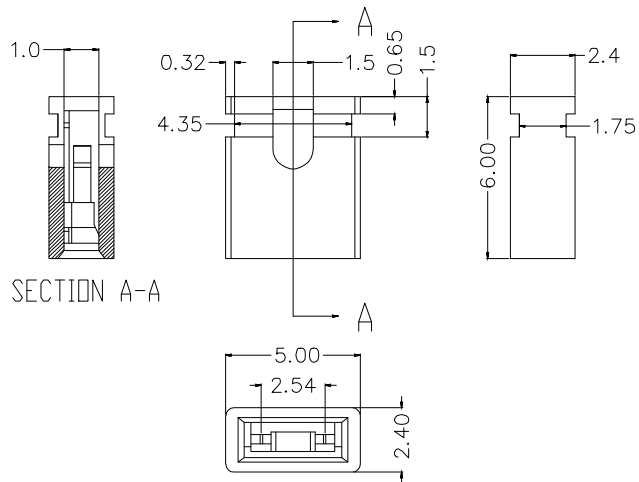




形式一 Model 1

形式二 Model 2

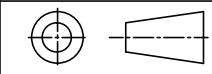


未标注之尺寸与形式一相同  
The unmarked dimensions are the same with Model 1

SPECIFICATIONS

Contact Material: Brass or Phosphor Bronze  
Contact Plating: Au or Sn over Ni  
Insulation Material: PA9T+30GF(UL94V-0)

Any size and shape can be customized.  
Contact sales team for more information.



PRODUCT NAME	DIM	TOL	DWG NO.	DRAW	Wu	PART NO	CUST
2.54MM Mini Jumper	X. X	±0.4	P. W	CHECK	Tomy	UNIT	DATE
	X. XX	±0.25	MATER	APPR	Allan	MM[INCH]	XXXX. XX. XX
	ANGLE	±3°	REV.				



东莞市同盈电子有限公司  
DONGGUAN WIN-WIN ELECTRONIC Co., Ltd.