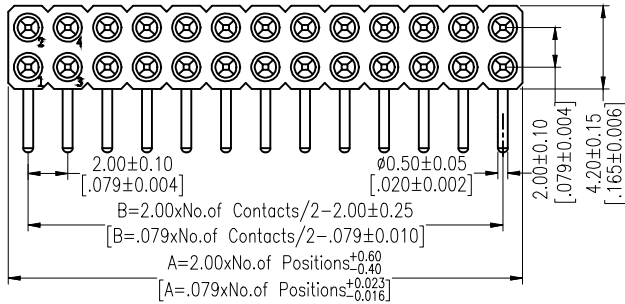


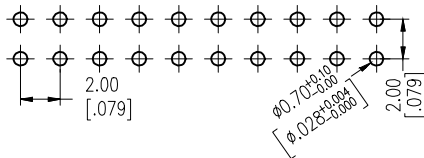
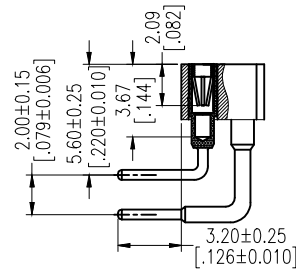
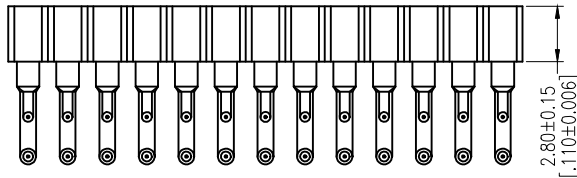


SPECIFICATIONS

Current Rating: 2.0 Amp
 Contact Resistance: 10mΩ Max
 Dielectric Strength: Min 1000 V
 Mechanical Life: Min 500 cycles
 Operation Temperature: -40°C~105°C
 Sleeve Material: Brass CuZn36Pb3 (C36000),
 Contact Plating: Au or Sn over Ni
 Insulator Material: PPS+30%G. F (UL94V-0)



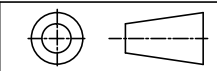
NO.of PIN	DIM A
40PIN	2.0*NO.of Positions+1.00±0.40
<40PIN	2.0*NO.of Positions+0.60-0.40



Recommended P.C.B Layout (Top Side)
 (PCB BOARD TOLERANCE ±0.05)

PIN Number	Dimension (mm)		PIN Number	Dimension (mm)	
	A	B		A	B
2*1P	2.00	2*21P	40.00	42.00
2*2P	2.00	4.00	2*22P	42.00	44.00
2*3P	4.00	6.00	2*23P	44.00	46.00
2*4P	6.00	8.00	2*24P	46.00	48.00
2*5P	8.00	10.00	2*25P	48.00	50.00
2*6P	10.00	12.00	2*26P	50.00	52.00
2*7P	12.00	14.00	2*27P	52.00	54.00
2*8P	14.00	16.00	2*28P	54.00	56.00
2*9P	16.00	18.00	2*29P	56.00	58.00
2*10P	18.00	20.00	2*30P	58.00	60.00
2*11P	20.00	22.00	2*31P	60.00	62.00
2*12P	22.00	24.00	2*32P	62.00	64.00
2*13P	24.00	26.00	2*33P	64.00	66.00
2*14P	26.00	28.00	2*34P	66.00	68.00
2*15P	28.00	30.00	2*35P	68.00	70.00
2*16P	30.00	32.00	2*36P	70.00	72.00
2*17P	32.00	34.00	2*37P	72.00	74.00
2*18P	34.00	36.00	2*38P	74.00	76.00
2*19P	36.00	38.00	2*39P	76.00	78.00
2*20P	38.00	40.00	2*40P	78.00	80.00

Any size and shape can be customized.
 Contact sales team for more information.



PRODUCT NAME	DIM	TOL	DWG NO.	DRAW	Wu	PART NO	CUST
2.0MM Machined Female Header Series	X.X	±0.4	P.W	CHECK	Tomy	UNIT	DATE
	X.XX	±0.25	MATER	APPR	Allan	MM [INCH]	XXXX.XX.XX
	ANGLE	±3°	REV.				



东莞市同盈电子有限公司
 DONGGUAN WIN-WIN ELECTRONIC Co., Ltd.