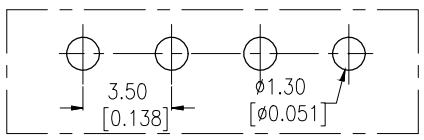
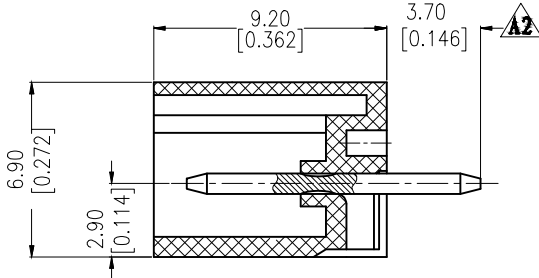
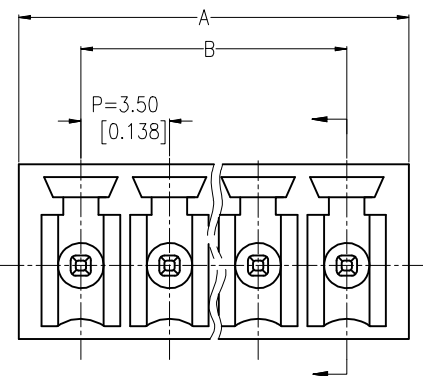
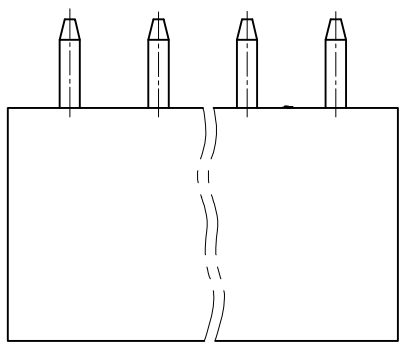




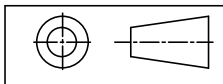
Specification
 Current Rating: 8A
 Voltage Rating: 300V
 Contact Resistance: 8 Milliohm Max
 Withstand Voltage: 2000V AC/DC
 Insulation Resistance: 1000 Megohm Min
 Operation Temperature: -40°C ~ 105°C
 Housing Material: PA66+30%GF (UL94V-0)
 Contact Material: Brass
 Terminal Plating: Tin over Ni



Recommended P.C.B Layout (Top Side)
 (PCB BOARD TOLERANCE ±0.05)

11P	39.90 ± 0.30	35.00 ± 0.30			
10P	36.40 ± 0.30	31.50 ± 0.30	20P	71.40 ± 0.40	66.50 ± 0.40
9P	32.90 ± 0.30	28.00 ± 0.30	19P	67.90 ± 0.40	63.00 ± 0.40
8P	29.40 ± 0.20	24.50 ± 0.20	18P	64.40 ± 0.40	59.50 ± 0.40
7P	25.90 ± 0.20	21.00 ± 0.20	17P	60.90 ± 0.40	56.00 ± 0.40
6P	22.40 ± 0.20	17.50 ± 0.20	16P	57.40 ± 0.40	52.50 ± 0.40
5P	18.90 ± 0.20	14.00 ± 0.20	15P	53.90 ± 0.40	49.00 ± 0.40
4P	15.40 ± 0.20	10.50 ± 0.20	14P	50.40 ± 0.30	45.50 ± 0.30
3P	11.90 ± 0.20	7.00 ± 0.20	13P	46.90 ± 0.30	42.00 ± 0.30
2P	8.40 ± 0.20	3.50 ± 0.10	12P	43.40 ± 0.30	38.50 ± 0.30
PIN	A	B	PIN	A	B

Any size and shape can be customized.
 Contact sales team for more information.



PRODUCT NAME	DIM	TOL	DWG NO.	DRAW	Wu	PART NO	CUST
3.50mm Pluggable Terminal Blocks	X.X	±0.4	P.W	CHECK	Tomy	UNIT	DATE
	X.XX	±0.25	MATER	PPS, BRASS	Allan	MM[INCH]	XXXX.XX.XX
	ANGLE	±3°	REV.	A0			

win 东莞市同盈电子有限公司
 DONGGUAN WIN-WIN ELECTRONIC Co., Ltd.