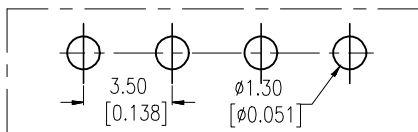
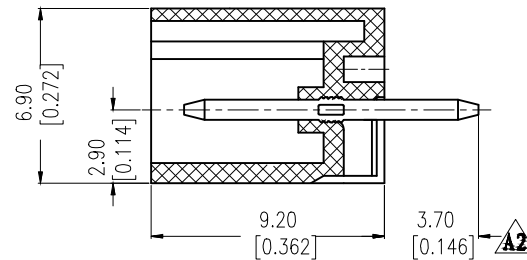
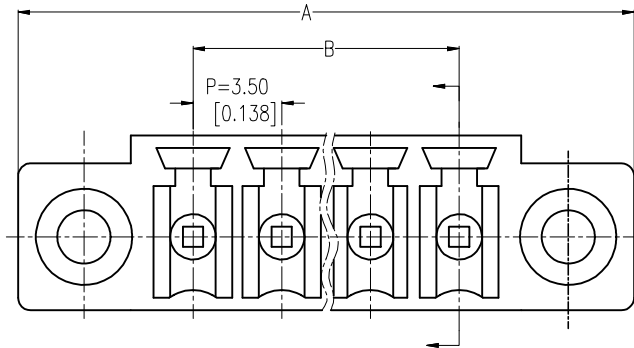
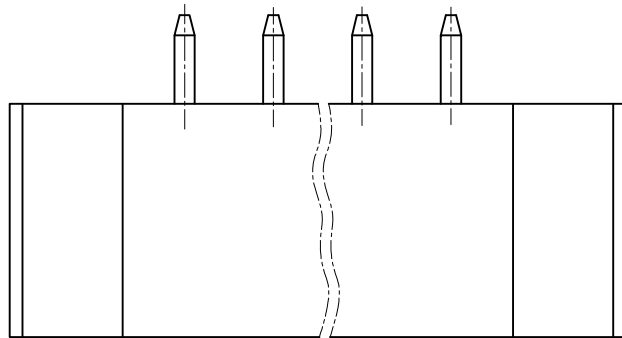


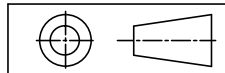


Specification

Current Rating: 8A
 Voltage Rating: 300V
 Contact Resistance: 8 Milliohm Max
 Withstand Voltage: 2000V AC/DC
 Insulation Resistance: 1000 Megohm Min
 Operation Temperature: -40°C ~ 105°C
 Housing Material: PA66+30%GF (UL94V-0)
 Contact Material: Brass
 Terminal Plating: Tin over Ni



Recommended P.C.B Layout (Top Side)
 (PCB BOARD TOLERANCE ± 0.05)



PRODUCT NAME	DIM	TOL	DWG NO.	DRAW	Wu	PART NO	CUST
3.50mm Pluggable Terminal Blocks	X. X	± 0.4	P. W	CHECK	Tomy	UNIT	DATE
	X. XX	± 0.25	MATER	PPS, BRASS	APPR	Allan	XXXX. XX. XX
	ANGLE	$\pm 3^\circ$	REV.	A0	东莞市同盈电子有限公司 DONGGUAN WIN-WIN ELECTRONIC Co., Ltd.		