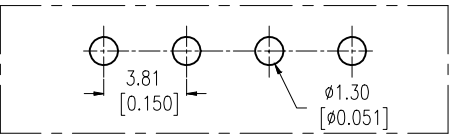
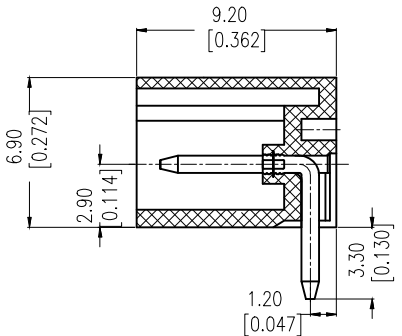
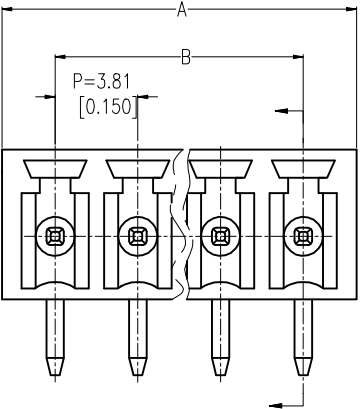
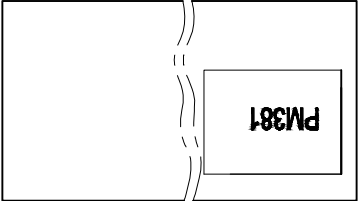


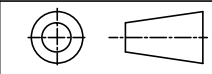


Specification
 Current Rating: 8A
 Voltage Rating: 300V
 Contact Resistance: 8 Milliohm Max
 Withstand Voltage: 2000V AC/DC
 Insulation Resistance: 1000 Megohm Min
 Operation Temperature: -40°C ~ 105°C
 Housing Material: PA66+30%GF (UL94V-0)
 Contact Material: Brass
 Terminal Plating: Sn over Ni



11P	43.30 ±0.20	38.10 ±0.20			
18P	39.49 ±0.20	34.29 ±0.20	20P	77.59 ±0.30	72.39 ±0.30
9P	35.68 ±0.20	30.49 ±0.20	13P	73.78 ±0.30	68.58 ±0.30
8P	31.87 ±0.15	26.67 ±0.15	18P	69.97 ±0.30	64.77 ±0.30
7P	28.06 ±0.15	22.86 ±0.15	17P	66.16 ±0.30	60.96 ±0.30
6P	24.25 ±0.15	19.05 ±0.15	16P	62.35 ±0.30	57.15 ±0.30
5P	20.44 ±0.15	15.24 ±0.15	15P	58.54 ±0.30	53.34 ±0.30
4P	16.63 ±0.15	11.43 ±0.15	14P	54.73 ±0.20	49.53 ±0.20
3P	12.82 ±0.15	7.62 ±0.15	13P	50.92 ±0.20	45.72 ±0.20
2P	9.01 ±0.15	3.81 ±0.10	12P	47.11 ±0.20	41.91 ±0.20
PINS	A	B	PINS	A	B

Any size and shape can be customized.
 Contact sales team for more information.



PRODUCT NAME	DIM	TOL	DWG NO.	DRAW	Wu	PART NO	CUST
3.81MM Terminal Blocks	X. X	±0.4	P. W	CHECK	Tomy	UNIT	DATE
	X. XX	±0.25	MATER	PA66、BRASS	APPR	Allan	XXXX. XX. XX
	ANGLE	±3°	REV.	A0			

win 东莞市同盈电子有限公司
 DONGGUAN WIN-WIN ELECTRONIC Co., Ltd.