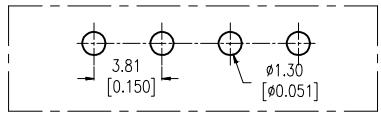
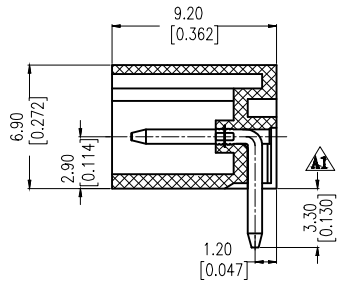
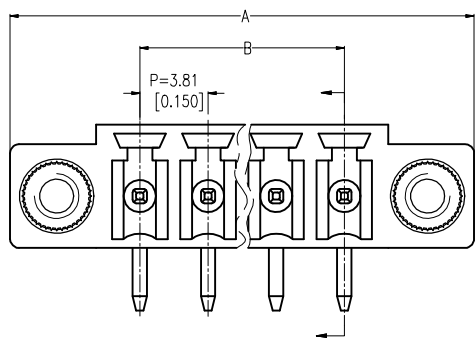
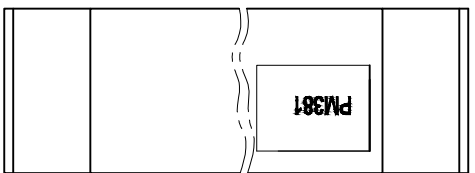




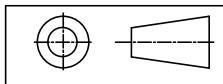
Specification  
 Current Rating: 8A  
 Voltage Rating: 300V  
 Contact Resistance: 8 Milliohm Max  
 Withstand Voltage: 2000V AC/DC  
 Insulation Resistance: 1000 Megohm Min  
 Operation Temperature: -40°C ~ 105°C  
 Housing Material: PA66+30%GF (UL94V-0)  
 Contact Material: Brass  
 Terminal Plating: Sn over Ni



Recommended P.C.B Layout (Top Side)  
 (PCB BOARD TOLERANCE ±0.05)

|     |             |             |     |             |             |
|-----|-------------|-------------|-----|-------------|-------------|
| 11P | 51.90 ±0.30 | 32.10 ±0.30 |     |             |             |
| 10P | 48.09 ±0.30 | 34.29 ±0.30 | 20P | 86.19 ±0.40 | 72.39 ±0.40 |
| 9P  | 44.28 ±0.30 | 30.48 ±0.30 | 19P | 82.38 ±0.40 | 68.58 ±0.40 |
| 8P  | 40.47 ±0.30 | 26.67 ±0.30 | 18P | 78.57 ±0.40 | 64.77 ±0.40 |
| 7P  | 36.66 ±0.20 | 22.86 ±0.20 | 17P | 74.76 ±0.40 | 60.96 ±0.40 |
| 6P  | 32.85 ±0.20 | 19.05 ±0.20 | 16P | 70.95 ±0.40 | 57.15 ±0.40 |
| 5P  | 29.04 ±0.20 | 15.24 ±0.20 | 15P | 67.14 ±0.40 | 53.34 ±0.40 |
| 4P  | 25.23 ±0.20 | 11.43 ±0.20 | 14P | 63.33 ±0.30 | 49.53 ±0.30 |
| 3P  | 21.42 ±0.20 | 7.62 ±0.20  | 13P | 59.52 ±0.30 | 45.72 ±0.30 |
| 2P  | 17.61 ±0.20 | 3.81 ±0.10  | 12P | 55.71 ±0.30 | 41.91 ±0.30 |
| 位數  | A           | B           | 位數  | A           | B           |

Any size and shape can be customized.  
 Contact sales team for more information.



| PRODUCT NAME           | DIM   | TOL   | DWG NO. | DRAW  | Wu    | PART NO   | CUST         |
|------------------------|-------|-------|---------|-------|-------|-----------|--------------|
| 3.81MM Terminal Blocks | X. X  | ±0.4  | P. W    | CHECK | Tomy  | UNIT      | DATE         |
|                        | X. XX | ±0.25 | MATER   | APPR  | Allan | MM [INCH] | XXXX. XX. XX |
|                        | ANGLE | ±3°   | REV.    |       |       |           |              |

**win** 东莞市同盈电子有限公司  
 DONGGUAN WIN-WIN ELECTRONIC Co., Ltd.