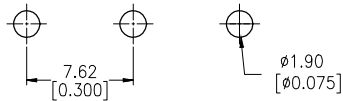
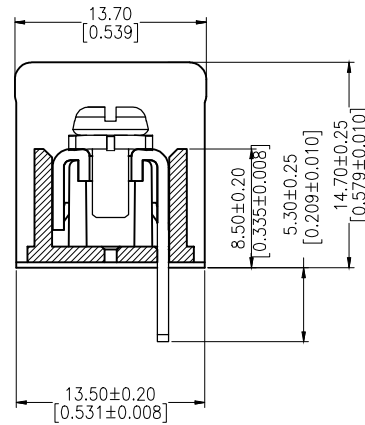
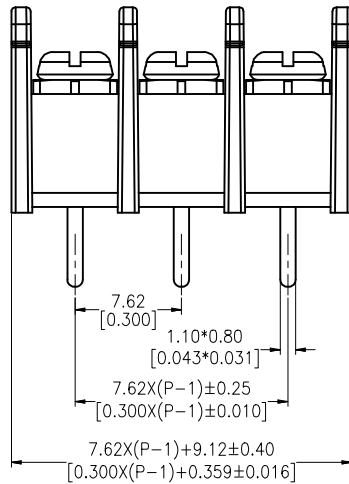
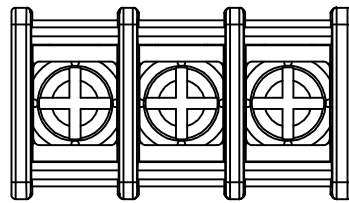




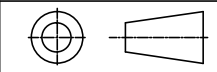
Specification

Current Rating: 10A  
 Voltage Rating: 300V  
 Contact Resistance: 15 Milliohm Max  
 Withstand Voltage: 2000V AC/DC  
 Insulation Resistance: 500 Megohm Min DC500V  
 Operation Temperature: -40°C~105°C  
 Housing Material: PA66+30%GF (UL94V-0)  
 Contact Material: Brass  
 Terminal Plating: SN over Ni



Recommended P.C.B Layout (Top Side)  
 (PCB BOARD TOLERANCE±0.05)

Any size and shape can be customized.  
 Contact sales team for more information.



PRODUCT NAME	DIM	TOL	DWG NO.	DRAW	Wu	PART NO	CUST
7.62mm Terminal Blocks Series	X. X	±0.4	P. W	CHECK	Tomy	UNIT	DATE
	X. XX	±0.25	MATER	APPR	Allan	MM[INCH]	XXXX. XX. XX
	ANGLE	±3°	REV.				
			PA66、BRASS				
			A0				

**win** 东莞市同盈电子有限公司  
 DONGGUAN WIN-WIN ELECTRONIC Co., Ltd.