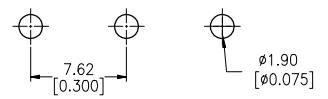
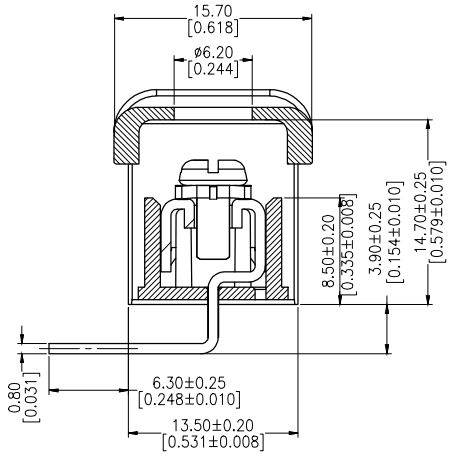
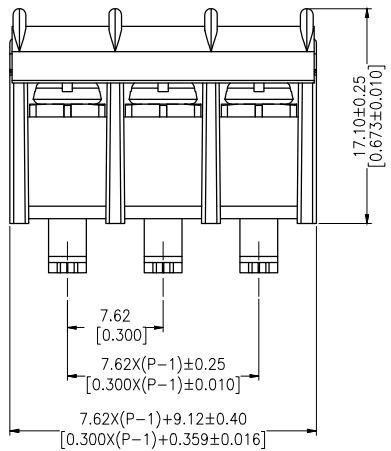
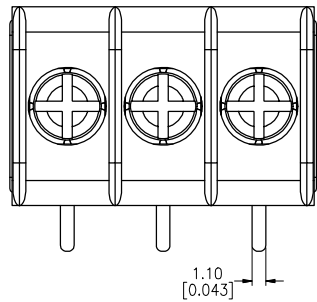




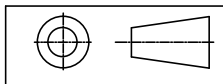
Specification

Current Rating: 10A
 Voltage Rating: 300V
 Contact Resistance: 15 Milliohm Max
 Withstand Voltage: 2000V AC/DC
 Insulation Resistance: 500 Megohm Min DC500V
 Operation Temperature: -40°C~105°C
 Housing Material: PA66+30%GF (UL94V-0)
 Contact Material: Brass
 Terminal Plating: SN over Ni



Recommended P.C.B Layout (Top Side)
 (PCB BOARD TOLERANCE ±0.05)

Any size and shape can be customized.
 Contact sales team for more information.



PRODUCT NAME	DIM	TOL	DWG NO.	DRAW	Wu	PART NO	CUST
7.62mm Terminal Blocks Series	X.X	±0.4	P.W	CHECK	Tomy	UNIT	DATE
	X.XX	±0.25	MATER	APPR	Allan	MM [INCH]	XXXX.XX.XX
	ANGLE	±3°	REV.				

win 东莞市同盈电子有限公司
 DONGGUAN WIN-WIN ELECTRONIC Co., Ltd.