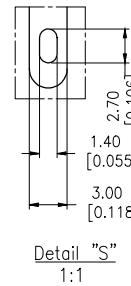
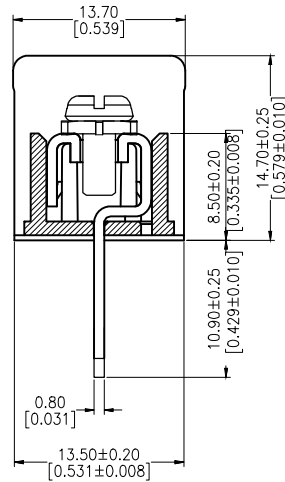
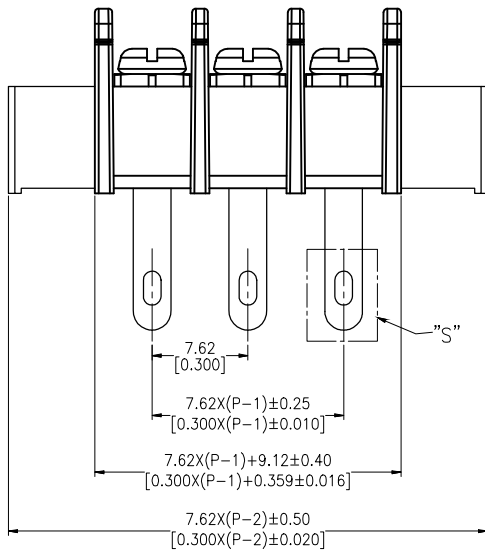
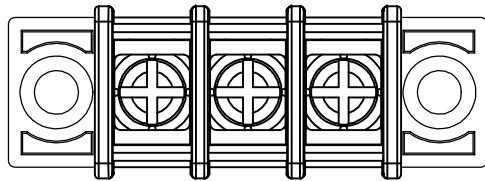


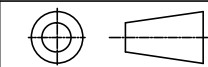


Specification

Current Rating: 10A  
 Voltage Rating: 300V  
 Contact Resistance: 15 Milliohm Max  
 Withstand Voltage: 2000V AC/DC  
 Insulation Resistance: 500 Megohm Min DC500V  
 Operation Temperature: -40°C~105°C  
 Housing Material: PA66+30%GF (UL94V-0)  
 Contact Material: Brass  
 Terminal Plating: SN over Ni



Any size and shape can be customized.  
 Contact sales team for more information.



PRODUCT NAME	DIM	TOL	DWG NO.	DRAW	Wu	PART NO	CUST
7.62mm Terminal Blocks Series	X.X	±0.4	P.W	CHECK	Tomy	UNIT	DATE
	X.XX	±0.25	MATER	APPR	Allan	MM[INCH]	XXXX.XX.XX
	ANGLE	±3°	REV.				

**win** 东莞市同盈电子有限公司  
 DONGGUAN WIN-WIN ELECTRONIC Co., Ltd.