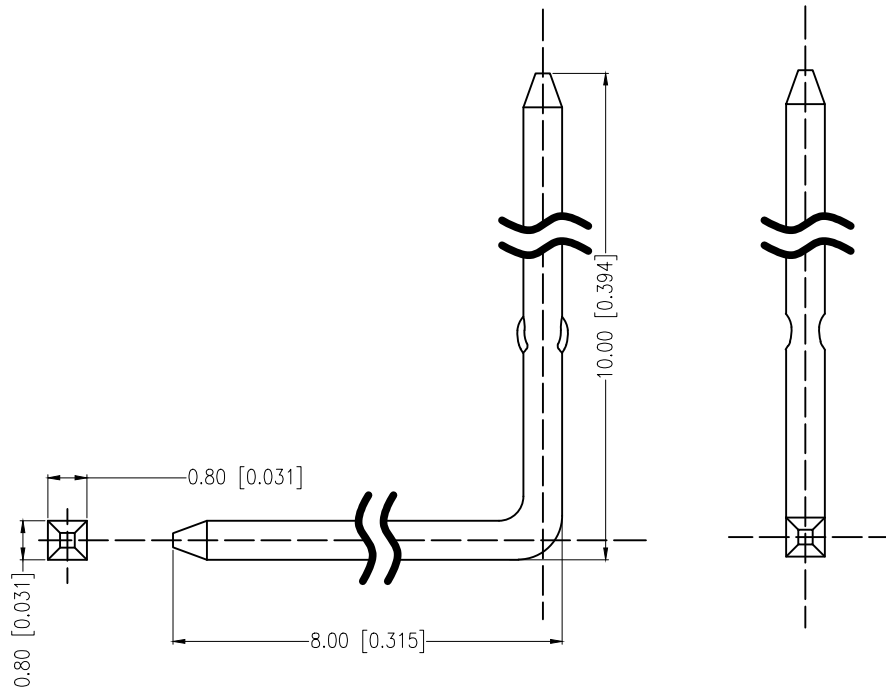


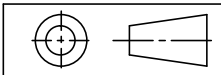


SPECIFICATIONS

Contact Material: Brass  
 Contact Plating: Au or Sn over Ni



Any size and shape can be customized.  
 Contact sales team for more information.



PRODUCT NAME	DIM	TOL	DWG NO.	DRAW	Wu	PART NO	CUST
0.8 MM TERMINAL PIN	X. X	±0.4	P. W	CHECK	Tomy	UNIT	MM[INCH]
	X. XX	±0.25	MATER	BRASS	APPR	Allan	DATE
	ANGLE	±3°	REV.	A0	东莞市同盈电子有限公司 DONGGUAN WIN-WIN ELECTRONIC Co., Ltd.		