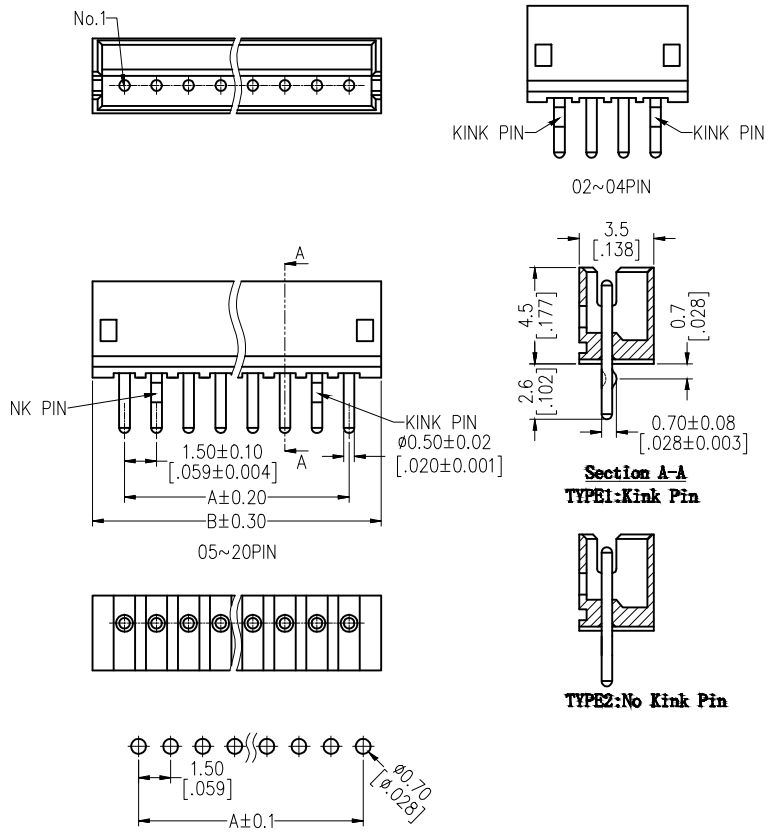




SPECIFICATION
 Current Rating:1.0Amp
 Voltage Rating:50V AC/DC
 Contact Resistance:20mΩ Max
 Withstand Voltage:500V AV/DC
 Insulation Resistance:500MΩ Min
 Operation Temperature:-25°C to +85°C

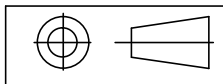
Contact Material: Brass
 Contact Plating:Au or Sn over Ni
 Insulator Material:PA6T+30%GF UL94V-0

Circuit	Dimension	
	A	B
2	1.50	4.50
3	3.00	6.00
4	4.50	7.50
5	6.00	9.00
6	7.50	10.50
7	9.00	12.00
8	10.50	13.50
9	12.00	15.00
10	13.50	16.50
11	15.00	18.00
12	16.50	19.50
13	18.00	21.00
14	19.50	22.50
15	21.00	24.00
16	22.50	25.50
17	24.00	27.00
18	25.50	28.50
19	27.00	30.00
20	28.50	31.50



Recommended P.C.B Layout(Top Side)
 (PCB BOARD TOLERANCE±0.05)

Any size and shape can be customized.
 Contact sales team for more information.



PRODUCT NAME	DIM	TOL	DWG NO.	DRAW	Wu	PART NO	CUST
1.5MM Wafer 180° DIP Series	X.X	±0.4	P.W	CHECK	Tomy	UNIT	DATE XXXX.XX.XX
	X.XX	±0.25	MATER BRASS PA6T	APPR	Allan	东莞市同盈电子有限公司 DONGGUAN WIN-WIN ELECTRONIC Co., Ltd.	
	ANGLE	±3°	REV.	A0			