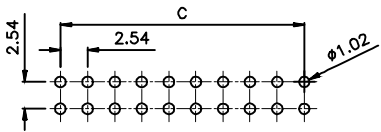
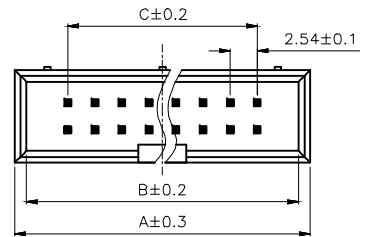
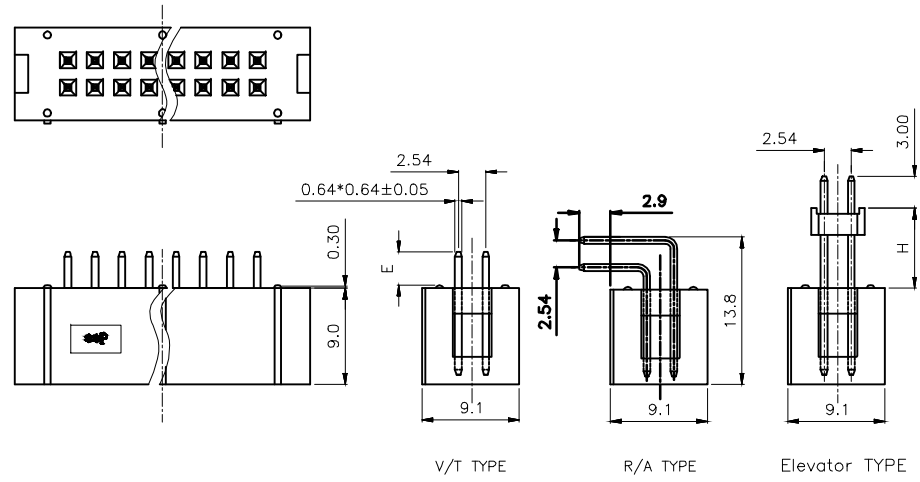




SPECIFICATIONS

Current Rating: 3Amp
 Contact Resistance: 20mΩ Max
 Withstand Voltage: 1000V AC/DC
 Insulation Resistance: 1000MΩ Min
 Operation Temperature: -40°C~105°C
 Contact Material: Brass
 Contact Plating: Au or Sn over Ni
 Insulation Material: PA9T+30GF(UL94V-0)

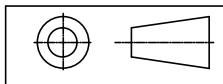


RECOMMEND PCB LAYOUT(TOLERANCE=±0.05)

Dimension

Position	A	B	C	24P	38	35.8	27.94
6P	15.2	13	5.08	26P	40.6	38.4	30.48
8P	17.6	15.4	7.62	30P	45.6	43.4	35.56
10P	20.3	18.1	10.16	34P	50.7	48.5	40.64
12P	22.8	20.6	12.7	40P	58.4	56.2	48.26
14P	25.3	23.1	15.24	50P	71	68.8	60.96
16P	27.9	25.7	17.78	60P	84.1	81.9	73.66
18P	30.5	28.3	20.32	64P	89.2	87	78.74
20P	33	30.8	22.86				

Any size and shape can be customized.
 Contact sales team for more information.



PRODUCT NAME	DIM	TOL	DWG NO.	DRAW	Wu	PART NO	CUST
2.54MM BOX HEADER SERIES	X.X	±0.4	P.W	CHECK	Tomy	UNIT	MM[INCH]
	X.XX	±0.25	MATER PA9T、BRASS	APPR	Allan	DATE	XXXX.XX.XX
	ANGLE	±3°	REV. AO				

win 东莞市同盈电子有限公司
 DONGGUAN WIN-WIN ELECTRONIC Co., Ltd.