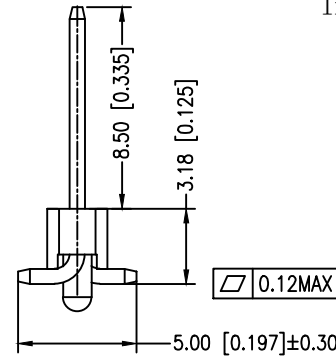
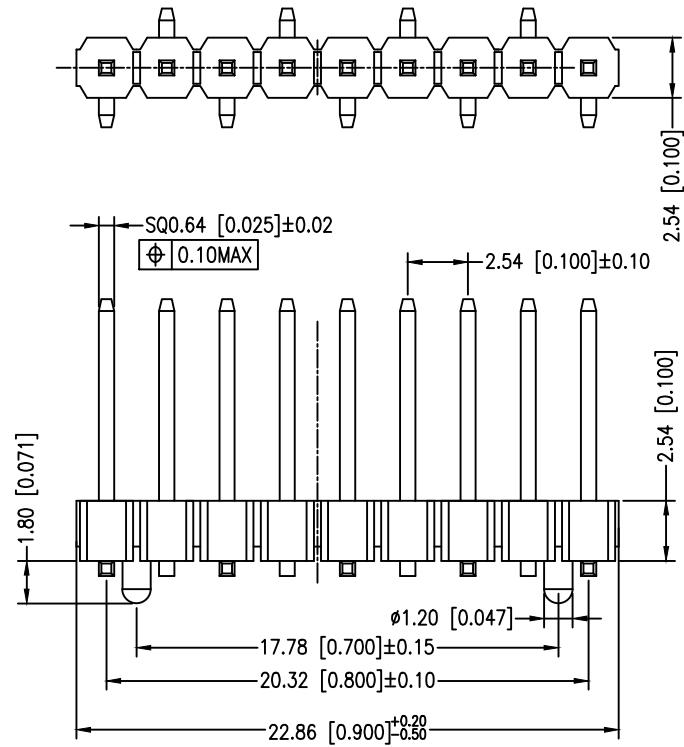


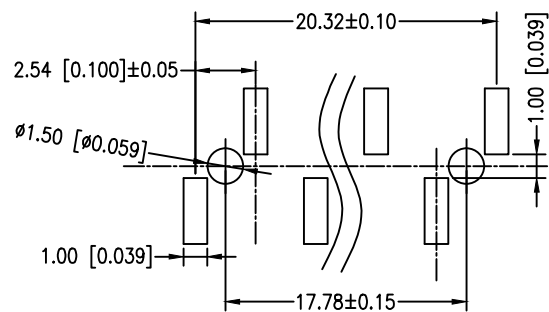


SPECIFICATIONS

Current Rating:	3.0 AMP
Contact Resistance:	20mΩ Max.
Withstand Voltage:	AC/DC 500V
Insulator Resistance:	1000 MΩ Min
Operating Temp.:	-40°C ~ +105°C
Contact Material:	Brass
Contact Plating:	Au or Sn over Ni
Insulator Material:	PA6T Black+30%GF UL94V-0 BK

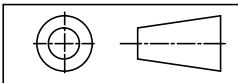


PIN Number	Dimension(mm)		PIN Number	Dimension(mm)	
	A	B		A	B
1×1P	0	0	1×21P	50.80	53.34
1×2P	2.54	5.08	1×22P	53.34	55.88
1×3P	5.08	7.62	1×23P	55.88	58.42
1×4P	7.62	10.16	1×24P	58.42	60.96
1×5P	10.16	12.70	1×25P	60.96	63.50
1×6P	12.70	15.24	1×26P	63.50	66.04
1×7P	15.24	17.78	1×27P	66.04	68.58
1×8P	17.78	20.32	1×28P	68.58	71.12
1×9P	20.32	22.86	1×29P	71.12	73.66
1×10P	22.86	25.40	1×30P	73.66	76.20
1×11P	25.40	27.94	1×31P	76.20	78.74
1×12P	27.94	30.48	1×32P	78.74	81.28
1×13P	30.48	33.02	1×33P	81.28	83.82
1×14P	33.02	35.56	1×34P	83.82	86.36
1×15P	35.56	38.10	1×35P	86.36	88.90
1×16P	38.10	40.64	1×36P	88.90	91.44
1×17P	40.64	43.18	1×37P	91.44	93.98
1×18P	43.18	45.72	1×38P	93.98	96.52
1×19P	45.72	48.26	1×39P	96.52	99.06
1×20P	48.26	50.80	1×40P	99.06	101.60



Recommended P.C.B Layout

Any size and shape can be customized.
Contact sales team for more information.



PRODUCT NAME	DIM	TOL	DWG NO.	DRAW	Wu	PART NO	CUST
2.54 MM SINGLE ROW PIN HEADER SERIES	X. X	±0.4	P. W	CHECK	Tomy	UNIT	DATE
	X. XX	±0.25	MATER PA6T、BRASS	APPR	Allan	MM[INCH]	XXXX. XX. XX
	ANGLE	±3°	REV. A0				
东莞市同盈电子有限公司 DONGGUAN WIN-WIN ELECTRONIC Co.,Ltd.							