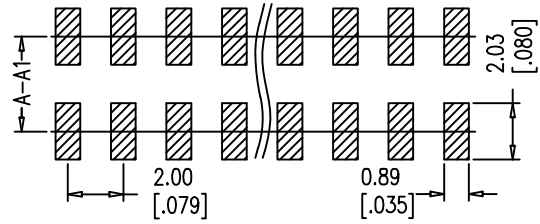
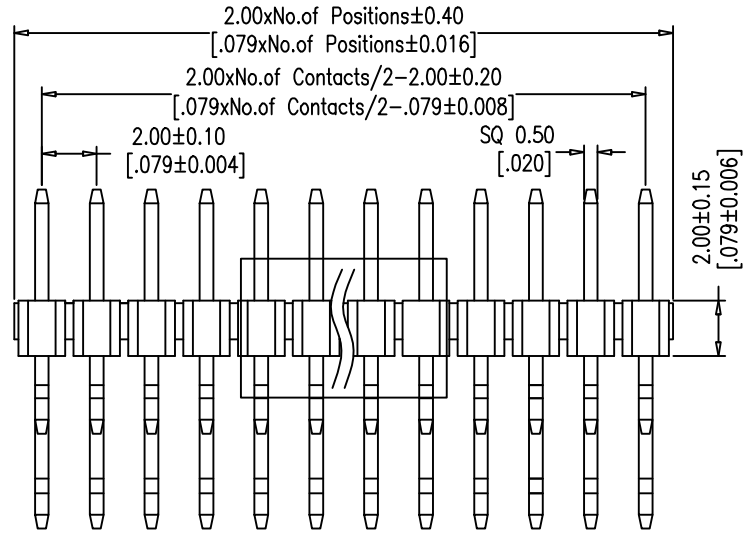
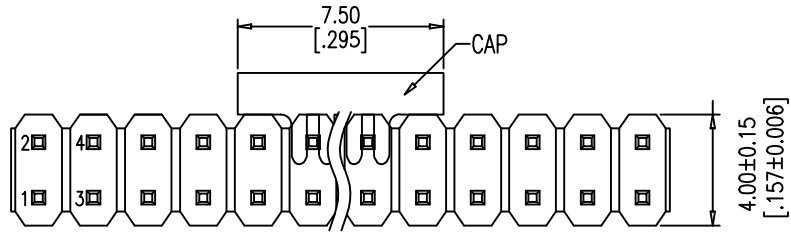


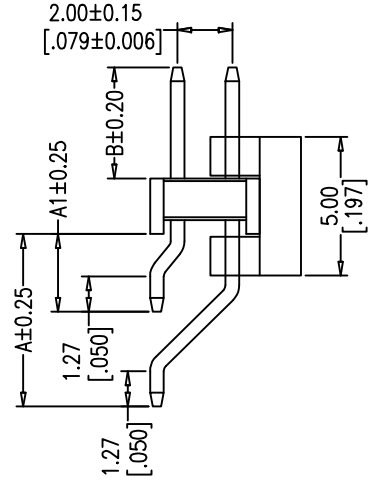


**SPECIFICATIONS**

Current Rating: 2.0 AMP  
 Contact Resistance: 20mΩ Max.  
 Withstand Voltage: AC/DC 500V  
 Insulator Resistance: 1000 MΩ Min  
 Operating Temp.: -40°C ~ +105°C  
 Contact Material: Brass  
 Contact Plating: Au or Sn over Ni  
 Insulator Material: PA6T Black+30%GF UL94V-0 BK

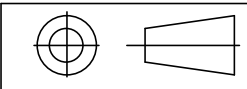


**Recommended P.C.B Layout**



PIN Number	Dimension(mm)		PIN Number	Dimension(mm)	
	A	B		A	B
1X1P	.....	2.00	1X21P	40.00	42.00
1X2P	2.00	4.00	1X22P	42.00	44.00
1X3P	4.00	6.00	1X23P	44.00	46.00
1X4P	6.00	8.00	1X24P	46.00	48.00
1X5P	8.00	10.00	1X25P	48.00	50.00
1X6P	10.00	12.00	1X26P	50.00	52.00
1X7P	12.00	14.00	1X27P	52.00	54.00
1X8P	14.00	16.00	1X28P	54.00	56.00
1X9P	16.00	18.00	1X29P	56.00	58.00
1X10P	18.00	20.00	1X30P	58.00	60.00
1X11P	20.00	22.00	1X31P	60.00	62.00
1X12P	22.00	24.00	1X32P	62.00	64.00
1X13P	24.00	26.00	1X33P	64.00	66.00
1X14P	26.00	28.00	1X34P	66.00	68.00
1X15P	28.00	30.00	1X35P	68.00	70.00
1X16P	30.00	32.00	1X36P	70.00	72.00
1X17P	32.00	34.00	1X37P	72.00	74.00
1X18P	34.00	36.00	1X38P	74.00	76.00
1X19P	36.00	38.00	1X39P	76.00	78.00
1X20P	38.00	40.00	1X40P	78.00	80.00

Any size and shape can be customized.  
 Contact sales team for more information.



PRODUCT NAME	DIM	TOL	DWG NO.	DRAW	Wu	PART NO	CUST
2.0 MM SINGLE ROW PIN HEADER SERIES	X.X	±0.4	P.W	CHECK	Tomy	UNIT	DATE
	X.XX	±0.25	MATER	PA6T、BRASS		MM[INCH]	XXXX.XX.XX
	ANGLE	±3°	REV.	AO	APPR	Allan	

