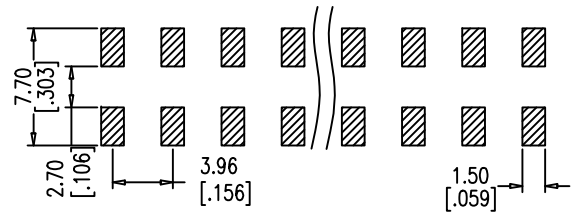
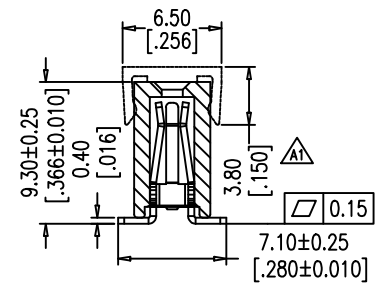
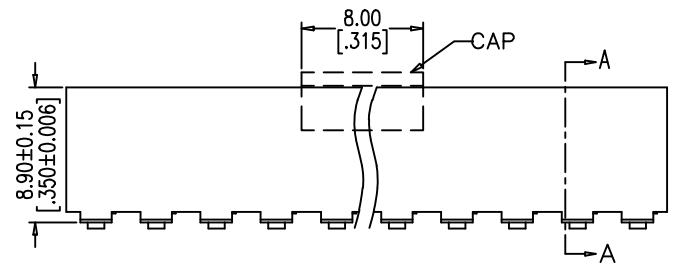
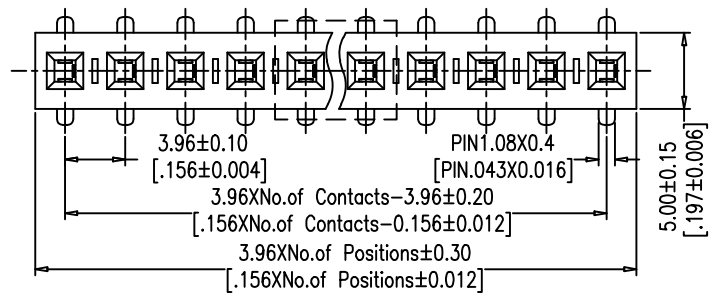




SPECIFICATIONS

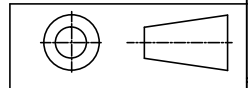
Current Rating: 7.0 AMP
 Contact Resistance: 20mΩ Max.
 Withstand Voltage: AC/DC 1000V
 Insulator Resistance: 1000 MΩ Min
 Operating Temp.: -40°C ~ +105°C
 Contact Material: Brass
 Contact Plating: Au or Sn over Ni
 Insulator Material: PA6T Black+30%GF UL94V-0 BK



Recommended P.C.B Layout (Top Side)
 (PCB BOARD TOLERANCE ±0.05)

PIN Number	Dimension (mm)	
	A	B
1*1P	3.96
1*2P	3.96	7.92
1*3P	7.92	11.88
1*4P	11.88	15.84
1*5P	15.84	19.80
1*6P	19.80	23.76
1*7P	23.76	27.72
1*8P	27.72	31.68
1*9P	31.68	35.64
1*10P	35.64	39.60
1*11P	39.60	43.56
1*12P	43.56	47.52
1*13P	47.52	51.48
1*14P	51.48	55.44
1*15P	55.44	59.40
1*16P	59.40	63.36
1*17P	63.36	67.32
1*18P	67.32	71.28
1*19P	71.28	75.24
1*20P	75.24	79.20

Any size and shape can be customized.
 Contact sales team for more information.



PRODUCT NAME	DIM	TOL	DWG NO.	DRAW	Wu	PART NO	CUST
3.96 MM FEMALE HEADER SERIES	X. X	±0.4	P. W	CHECK	Tomy	UNIT	DATE
	X. XX	±0.25	MATER	APP R	Allan	MM [INCH]	XXXX. XX. XX
	ANGLE	±3°	REV.				

