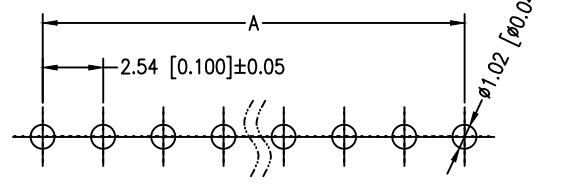
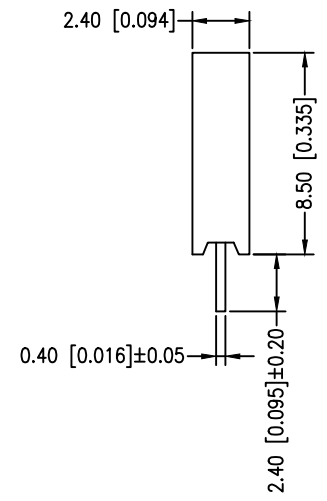
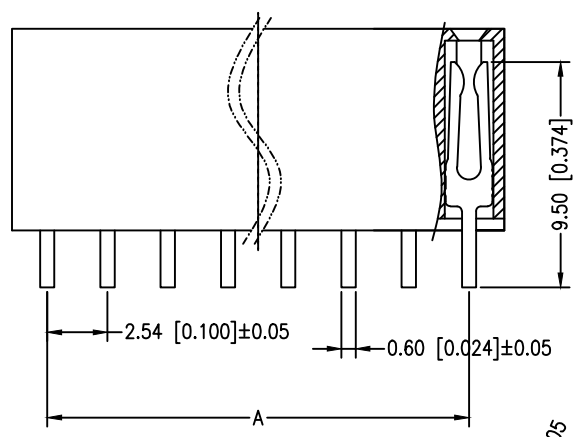
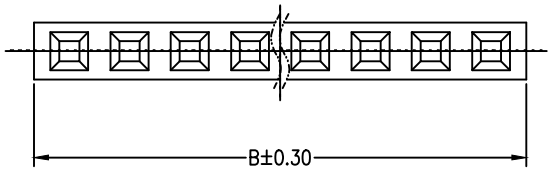




**SPECIFICATIONS**

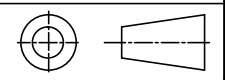
Current Rating: 3.0 AMP  
 Contact Resistance: 20mΩ Max.  
 Withstand Voltage: AC/DC 500V  
 Insulator Resistance: 1000 MΩ Min  
 Operating Temp.: -40°C ~ +105°C  
 Contact Material: Brass  
 Contact Plating: Au or Sn over Ni  
 Insulator Material: PA6T Black+30%GF UL94V-0 BK



**Recommended P.C.B Layout**

PIN Number	Dimension(mm)		PIN Number	Dimension(mm)	
	A	B		A	B
1x2P	2.54	5.48	1x22P	53.34	56.28
1x3P	5.08	8.02	1x23P	55.88	58.82
1x4P	7.62	10.56	1x24P	58.42	61.36
1x5P	10.16	13.10	1x25P	60.96	63.90
1x6P	12.70	15.64	1x26P	63.50	66.44
1x7P	15.24	18.18	1x27P	66.04	68.98
1x8P	17.78	20.72	1x28P	68.58	71.52
1x9P	20.32	23.26	1x29P	71.12	74.06
1x10P	22.86	25.80	1x30P	73.66	76.60
1x11P	25.40	28.34	1x31P	76.20	79.14
1x12P	27.94	30.88	1x32P	78.74	81.68
1x13P	30.48	33.42	1x33P	81.28	84.22
1x14P	33.02	35.96	1x34P	83.82	86.76
1x15P	35.56	38.50	1x35P	86.36	89.30
1x16P	38.10	41.04	1x36P	88.90	91.84
1x17P	40.64	43.58	1x37P	91.44	94.38
1x18P	43.18	46.12	1x38P	93.98	96.92
1x19P	45.72	48.66	1x39P	96.52	99.46
1x20P	48.26	51.20	1x40P	99.06	102.00
1x21P	50.80	53.74			

Any size and shape can be customized.  
 Contact sales team for more information.



PRODUCT NAME	DIM	TOL	DWG NO.	DRAW	Wu	PART NO	CUST
2.54 MM FEMALE HEADER SERIES	X. X	±0.4	P. W	CHECK	Tomy	UNIT	DATE
	X. XX	±0.25	MATER PA6T、BRASS	APPR	Allan	MM[INCH]	XXXX. XX. XX
	ANGLE	±3°	REV. A0	东莞市同盈电子有限公司 DONGGUAN WIN-WIN ELECTRONIC Co.,Ltd.			