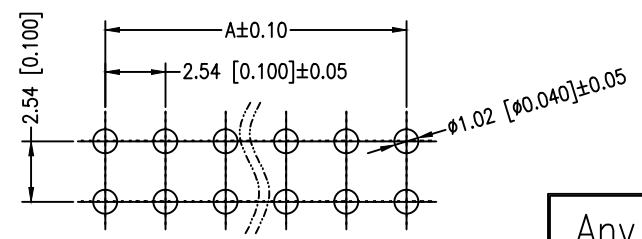
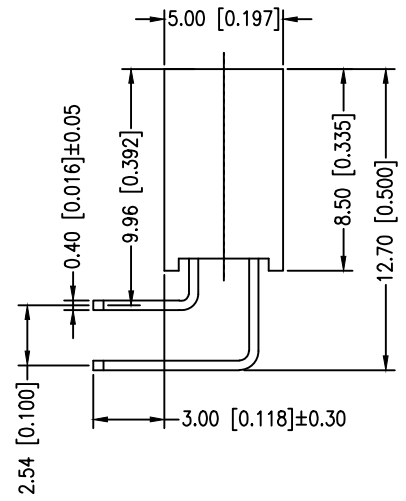
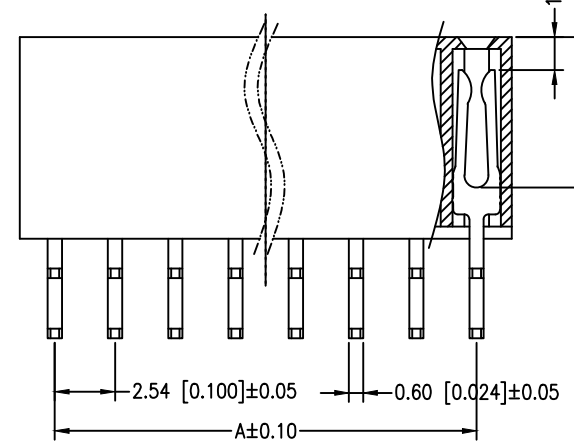
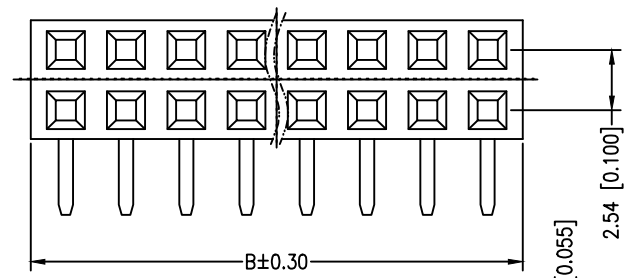




**SPECIFICATIONS**

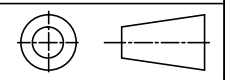
Current Rating: 3.0 AMP  
 Contact Resistance: 20mΩ Max.  
 Withstand Voltage: AC/DC 500V  
 Insulator Resistance: 1000 MΩ Min  
 Operating Temp.: -40°C ~ +105°C  
 Contact Material: Brass  
 Contact Plating: Au or Sn over Ni  
 Insulator Material: PA6T Black+30%GF UL94V-0 BK



**Recommended P.C.B Layout**

Any size and shape can be customized.  
 Contact sales team for more information.

PIN Number	Dimension(mm)		PIN Number	Dimension(mm)	
	A	B		A	B
2×2P	2.54	5.48	2×22P	53.34	56.28
2×3P	5.08	8.02	2×23P	55.88	58.82
2×4P	7.62	10.56	2×24P	58.42	61.36
2×5P	10.16	13.10	2×25P	60.96	63.90
2×6P	12.70	15.64	2×26P	63.50	66.44
2×7P	15.24	18.18	2×27P	66.04	68.98
2×8P	17.78	20.72	2×28P	68.58	71.52
2×9P	20.32	23.26	2×29P	71.12	74.06
2×10P	22.86	25.80	2×30P	73.66	76.60
2×11P	25.40	28.34	2×31P	76.20	79.14
2×12P	27.94	30.88	2×32P	78.74	81.68
2×13P	30.48	33.42	2×33P	81.28	84.22
2×14P	33.02	35.96	2×34P	83.82	86.76
2×15P	35.56	38.50	2×35P	86.36	89.30
2×16P	38.10	41.04	2×36P	88.90	91.84
2×17P	40.64	43.58	2×37P	91.44	94.38
2×18P	43.18	46.12	2×38P	93.98	96.92
2×19P	45.72	48.66	2×39P	96.52	99.46
2×20P	48.26	51.20	2×40P	99.06	102.00
2×21P	50.80	53.74			



PRODUCT NAME	DIM	TOL	DWG NO.	DRAW	Wu	PART NO	CUST
2.54 MM FEMALE HEADER SERIES	X. X	±0.4	P. W	CHECK	Tomy	UNIT	DATE
	X. XX	±0.25	MATER PA6T、BRASS	APPR	Allan	MM[INCH]	XXXX. XX. XX
	ANGLE	±3°	REV. A0	东莞市同盈电子有限公司 DONGGUAN WIN-WIN ELECTRONIC Co.,Ltd.			