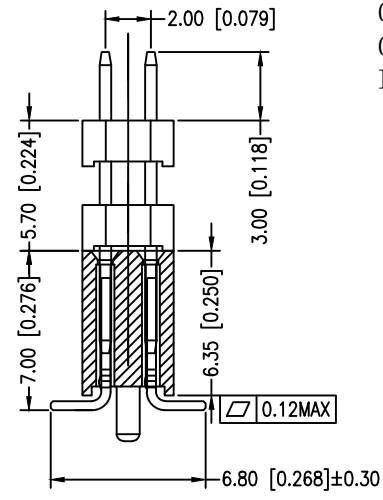
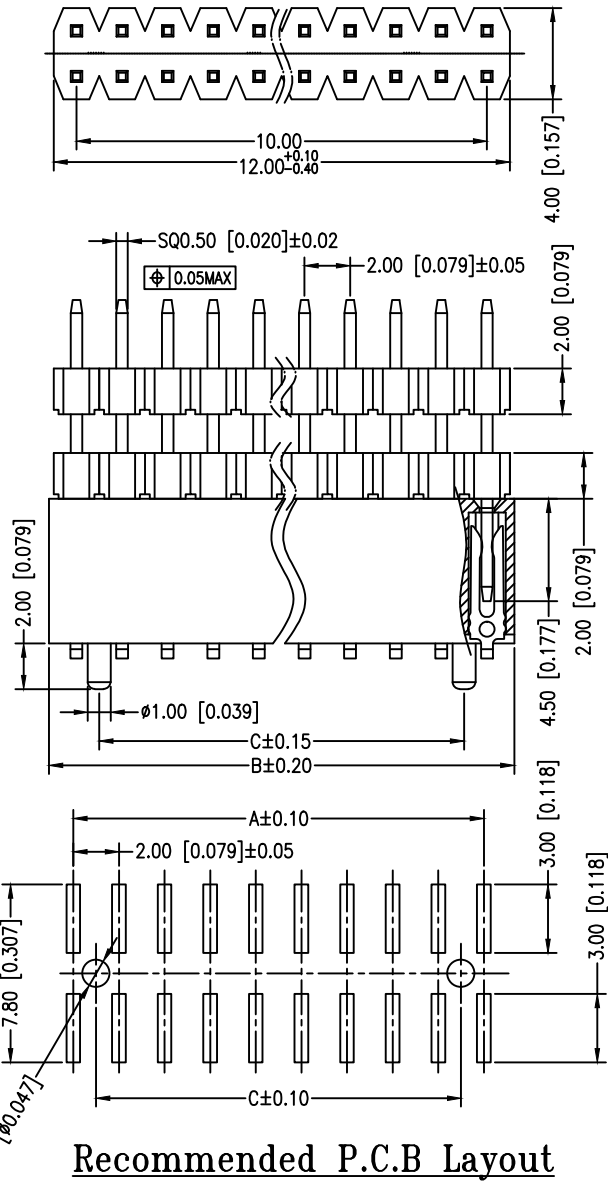


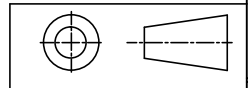


SPECIFICATIONS
 Current Rating: 2.0 AMP
 Contact Resistance: 20mΩ Max.
 Withstand Voltage: AC/DC 500V
 Insulator Resistance: 1000 MΩ Min
 Operating Temp.: -40°C ~ +105°C
 Contact Material: Brass
 Contact Plating: Au or Sn over Ni
 Insulator Material: PA6T Black+30%GF UL94V-0 BK

| PIN Number | Dimension(mm) | | | PIN Number | Dimension(mm) | | |
|------------|---------------|-------|-------|------------|---------------|-------|-------|
| | A | B | C | | A | B | C |
| 2X2P | 2.00 | 4.40 | | 2X22P | 42.00 | 44.40 | 40.00 |
| 2X3P | 4.00 | 6.40 | 2.00 | 2X23P | 44.00 | 46.40 | 42.00 |
| 2X4P | 6.00 | 8.40 | 4.00 | 2X24P | 46.00 | 48.40 | 44.00 |
| 2X5P | 8.00 | 10.40 | 6.00 | 2X25P | 48.00 | 50.40 | 46.00 |
| 2X6P | 10.00 | 12.40 | 8.00 | 2X26P | 50.00 | 52.40 | 48.00 |
| 2X7P | 12.00 | 14.40 | 10.00 | 2X27P | 52.00 | 54.40 | 50.00 |
| 2X8P | 14.00 | 16.40 | 12.00 | 2X28P | 54.00 | 56.40 | 52.00 |
| 2X9P | 16.00 | 18.40 | 14.00 | 2X29P | 56.00 | 58.40 | 54.00 |
| 2X10P | 18.00 | 20.40 | 16.00 | 2X30P | 58.00 | 60.40 | 56.00 |
| 2X11P | 20.00 | 22.40 | 18.00 | 2X31P | 60.00 | 62.40 | 58.00 |
| 2X12P | 22.00 | 24.40 | 20.00 | 2X32P | 62.00 | 64.40 | 60.00 |
| 2X13P | 24.00 | 26.40 | 22.00 | 2X33P | 64.00 | 66.40 | 62.00 |
| 2X14P | 26.00 | 28.40 | 24.00 | 2X34P | 66.00 | 68.40 | 64.00 |
| 2X15P | 28.00 | 30.40 | 26.00 | 2X35P | 68.00 | 70.40 | 66.00 |
| 2X16P | 30.00 | 32.40 | 28.00 | 2X36P | 70.00 | 72.40 | 68.00 |
| 2X17P | 32.00 | 34.40 | 30.00 | 2X37P | 72.00 | 74.40 | 70.00 |
| 2X18P | 34.00 | 36.40 | 32.00 | 2X38P | 74.00 | 76.40 | 72.00 |
| 2X19P | 36.00 | 38.40 | 34.00 | 2X39P | 76.00 | 78.40 | 74.00 |
| 2X20P | 38.00 | 40.40 | 36.00 | 2X40P | 78.00 | 80.40 | 76.00 |
| 2X21P | 40.00 | 42.40 | 38.00 | | | | |



Any size and shape can be customized.
 Contact sales team for more information.



Recommended P.C.B Layout

| PRODUCT NAME | DIM | TOL | DWG NO. | DRAW | Wu | PART NO | CUST |
|-----------------------------|-------|-------|---------|-------|-------|----------|--------------|
| 2.0 MM FEMALE HEADER SERIES | X. X | ±0.4 | P. W | CHECK | Tomy | UNIT | DATE |
| | X. XX | ±0.25 | MATER | APPR | Allan | MM[INCH] | XXXX. XX. XX |
| | ANGLE | ±3° | REV. | | | | |

