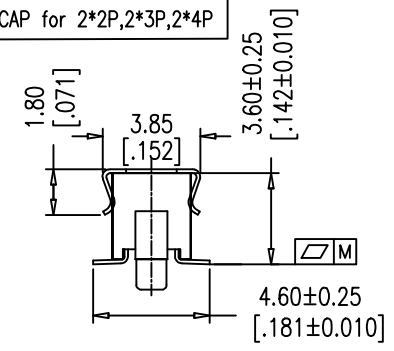
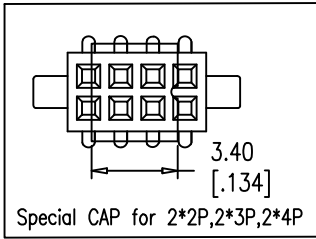
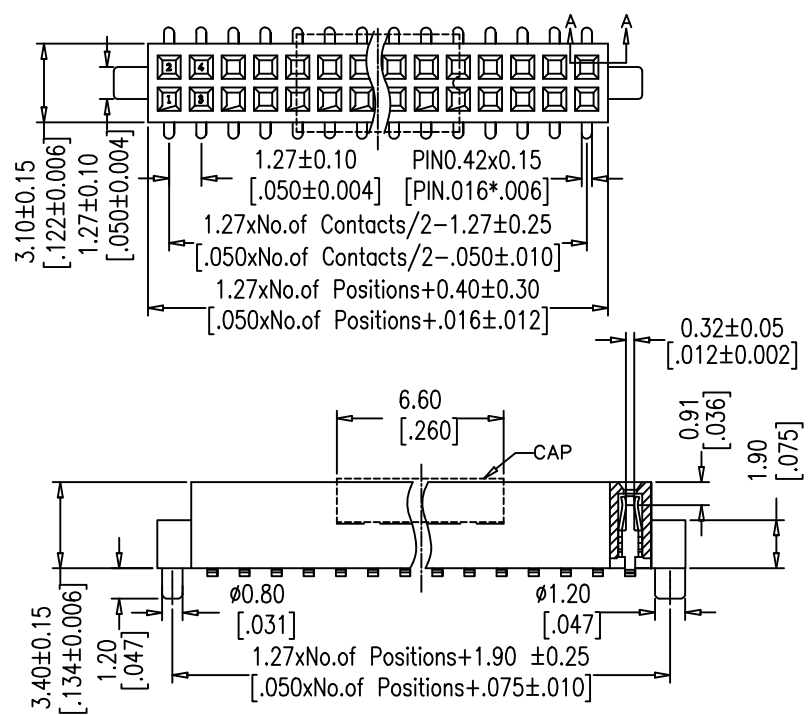
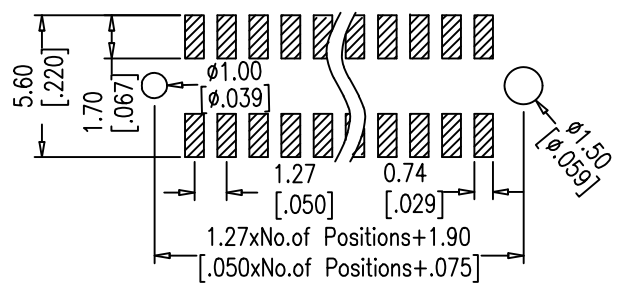




**SPECIFICATIONS**  
 Current Rating: 1.0 AMP  
 Contact Resistance: 20mΩ Max.  
 Withstand Voltage: AC/DC 500V  
 Insulator Resistance: 1000 MΩ Min  
 Operating Temp.: -40°C ~ +105°C  
 Contact Material: Brass  
 Contact Plating: Au or Sn over Ni  
 Insulator Material: PA6T Black+30%GF UL94V-0 BK



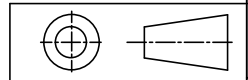
SECTION A-A



Recommended P.C.B Layout (Top Side)  
 (PCB BOARD TOLERANCE ±0.05)

PIN Number	Dimension (mm)			PIN Number	Dimension (mm)		
	A	B	C		A	B	C
2*3P	2.54	4.21	1.27	2*27P	33.02	34.69	31.75
2*4P	3.81	5.48	2.54	2*28P	34.29	35.96	33.02
2*5P	5.08	6.75	3.81	2*29P	35.56	37.23	34.29
2*6P	6.35	8.02	5.08	2*30P	36.83	38.50	35.56
2*7P	7.62	9.29	6.35	2*31P	38.10	39.77	36.83
2*8P	8.89	10.56	7.62	2*32P	39.37	41.04	38.10
2*9P	10.16	11.83	8.89	2*33P	40.64	42.31	39.37
2*10P	11.43	13.10	10.16	2*34P	41.91	43.58	40.64
2*11P	12.70	14.37	11.43	2*35P	43.18	44.85	41.91
2*12P	13.97	15.64	12.70	2*36P	44.45	46.12	43.18
2*13P	15.24	16.91	13.97	2*37P	45.72	47.39	44.45
2*14P	16.51	18.18	15.24	2*38P	46.99	48.66	45.72
2*15P	17.78	19.45	16.51	2*39P	48.26	49.93	46.99
2*16P	19.05	20.72	17.78	2*40P	49.53	51.20	48.26
2*17P	20.32	21.99	19.05	2*41P	50.80	52.47	49.53
2*18P	21.59	23.26	20.32	2*42P	52.07	53.74	50.80
2*19P	22.86	24.53	21.59	2*43P	53.34	55.01	52.07
2*20P	24.13	25.80	22.86	2*44P	54.61	56.28	53.34
2*21P	25.40	27.07	24.13	2*45P	55.88	57.55	54.61
2*22P	26.67	28.34	25.40	2*46P	57.15	58.82	55.88
2*23P	27.94	29.61	26.67	2*47P	58.42	60.09	57.15
2*24P	29.21	30.88	27.94	2*48P	59.69	61.36	58.42
2*25P	30.48	32.15	29.21	2*49P	60.96	62.63	59.69
2*26P	31.75	33.42	30.48	2*50P	62.23	63.90	60.96

Any size and shape can be customized.  
 Contact sales team for more information.



PRODUCT NAME	DIM	TOL	DWG NO.	DRAW	Wu	PART NO	CUST
1.27 MM FEMALE HEADER SERIES	X. X	±0.4	P. W	CHECK	Tomy	UNIT	DATE
	X. XX	±0.25	MATER	APP R	Allan	MM [INCH]	XXXX. XX. XX
	ANGLE	±3°	REV.				

**win** 东莞市同盈电子有限公司  
 DONGGUAN WIN-WIN ELECTRONIC Co., Ltd.